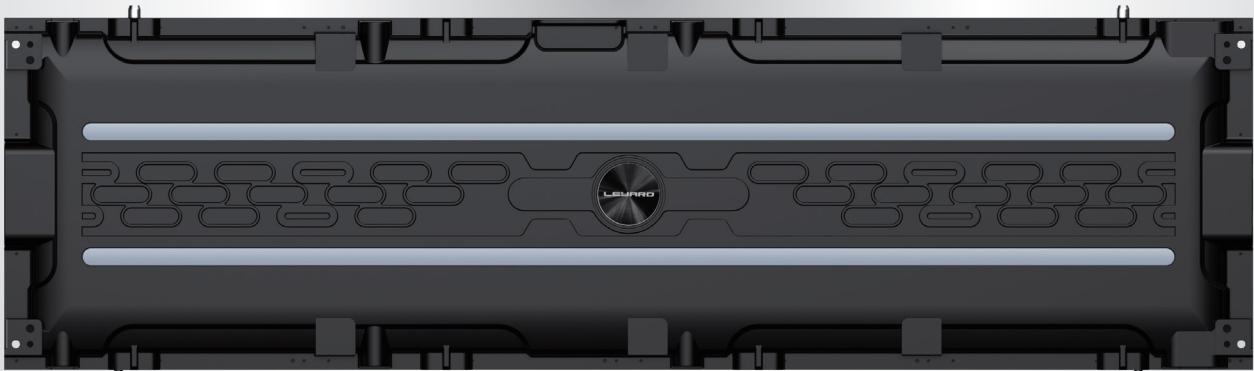




VEM SERIES FINE PITCH CREATIVE LED DISPLAY

VEM SERIES VEM009 / VEM010 / VEM012 / VEM014 / VEM015 / VEM018 / VEM020 / VEM025 / VEM030



VEM series has a wide coverage on the pixel pitch. The product has a creative cabinet structure design to meet the various challenging of retail market or creative applications.

KEY FEATURES



HDR Ready



32:9 Aspect Ratio



Generic Cables



Intelligent Module



Full Front Access



Spliced Into Various Shapes



Customizable Cabinet Width



6-axis Alignment



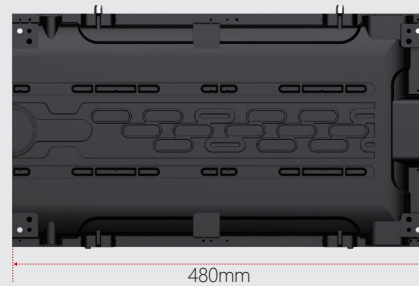
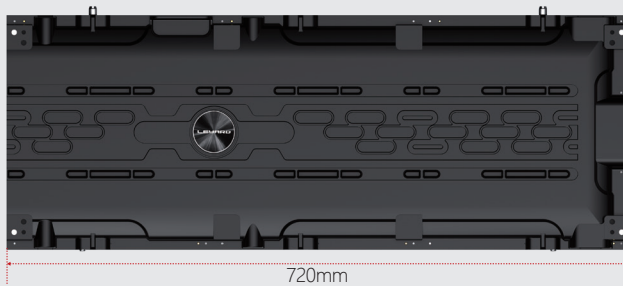
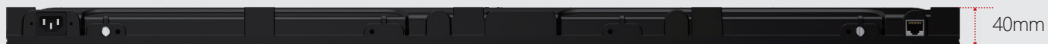
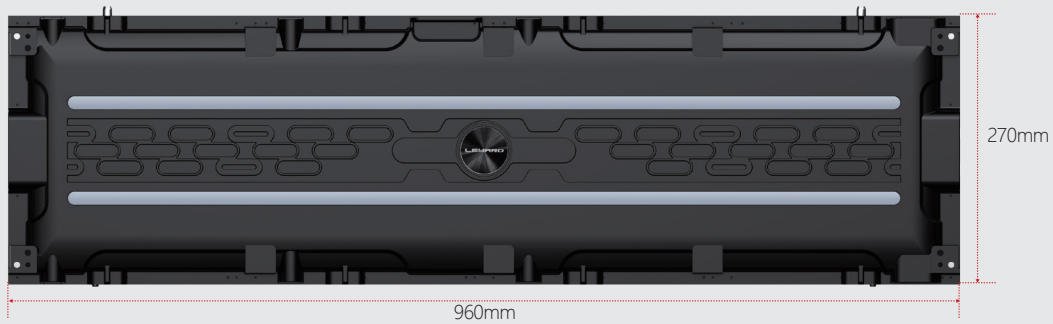
Easy Maintenance

TECHNOLOGY ADVANTAGES



Multiple Sizes to Meet More Needs

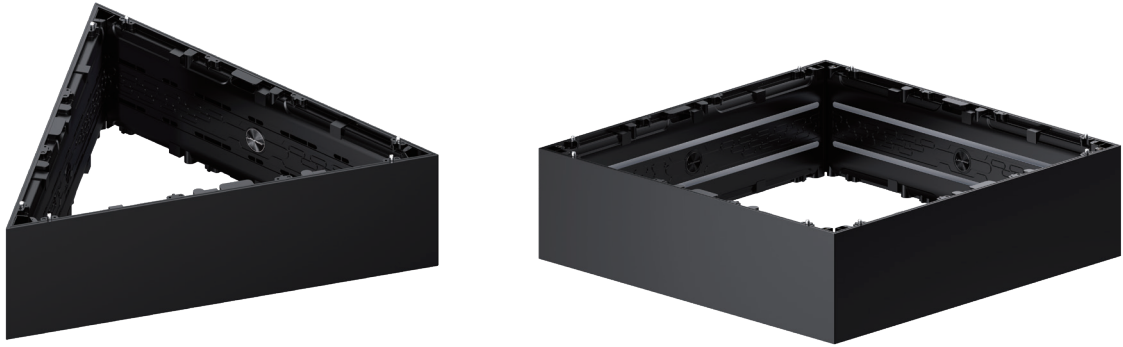
- > Standard width 960mm
- > Customized width 720/480mm





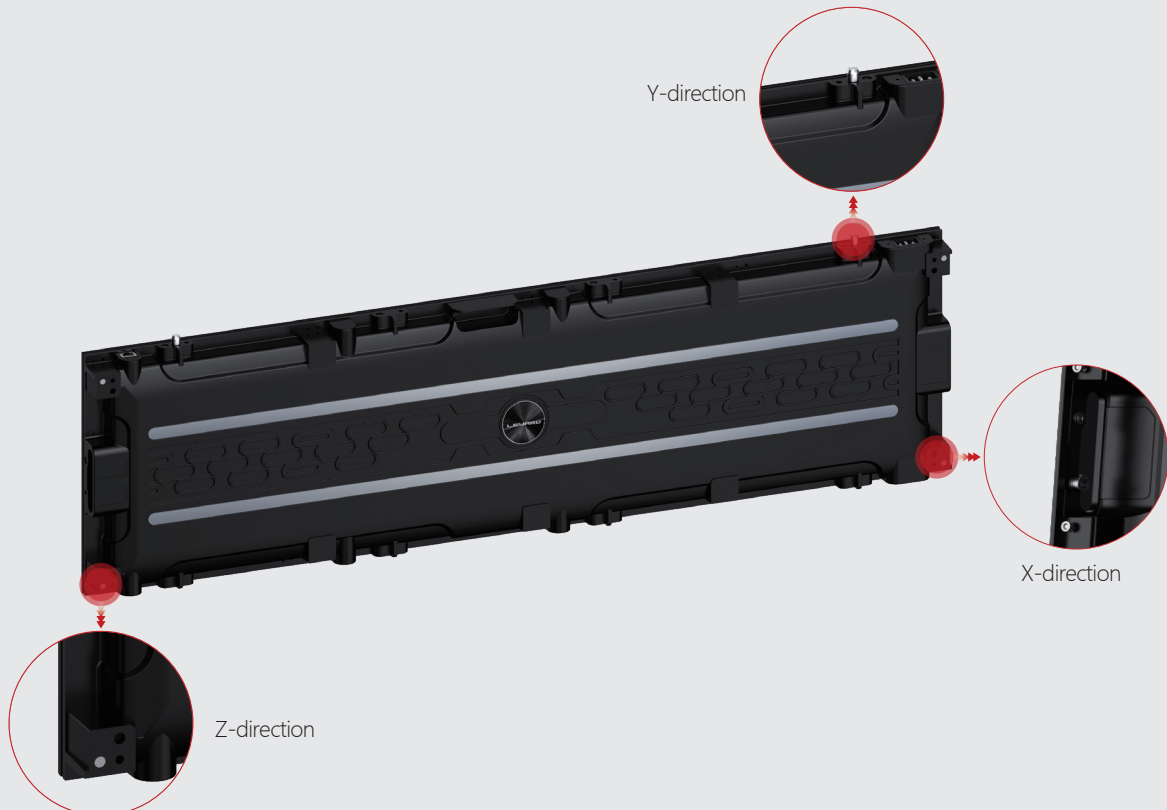
Flexible Stitching

VEM's cabinet structure is flexible and has multiple widths, which can be spliced into three-shaped and four-sided shapes, suitable for various applications such as retail, external obituary, creative display and so on.



X/Y/Z 6-axis Alignment

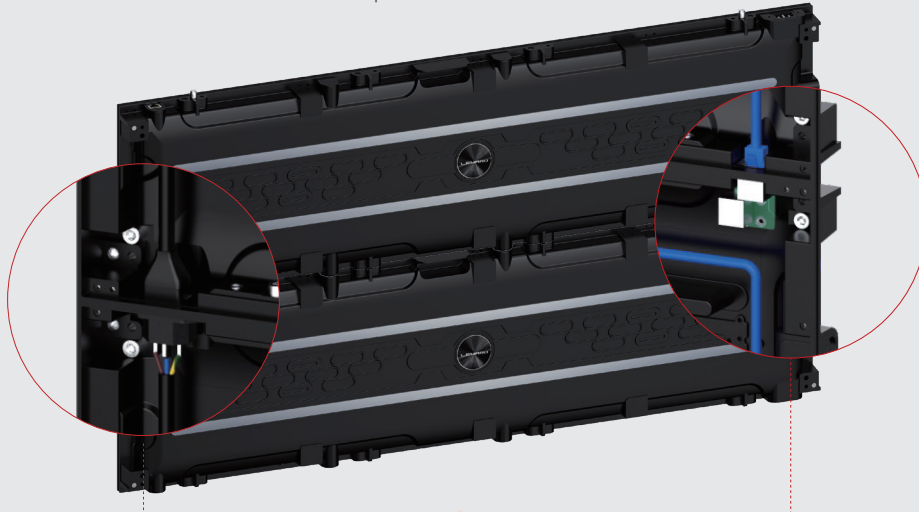
Special 6-axis alignment features ensure the video wall is perfectly aligned and seamless.





Convenient Power Cable Connection

Power cables can be connected from the top or side.



Cable can be connected to the AC socket to complete the power cascade between the upper and lower cabinets.



Perfect 16: 9 Stitching

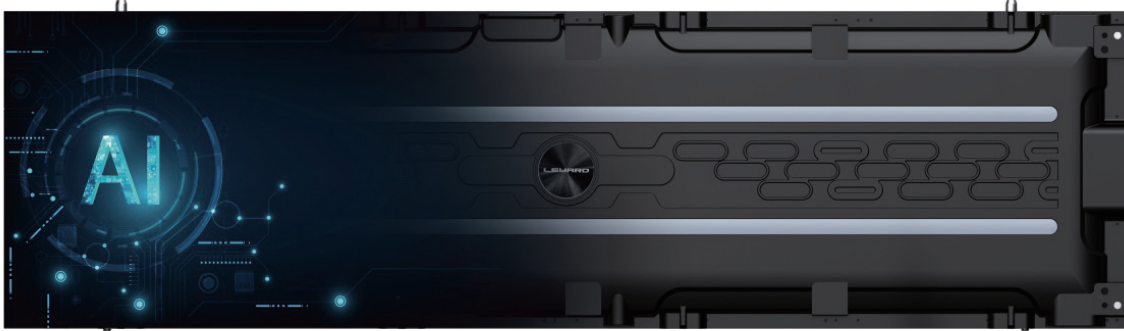
VEM's standard cabinet has an aspect ratio of 32: 9, and two cabinets are stacked to achieve the aspect ratio of 16: 9, which is suitable for playing all kinds of highdefinition videos.





Intelligent Module

The module adopts digital signature technology, and the calibration data can be stored in the module independently, which is convenient for maintenance.



High Dynamic Range(Optional)

Support HDR function to meet more display requirements.





Easy Front Installation and Maintenance

VEM has a fully front-access design. When front installation, you only need to remove the two modules on the edge to make wiring very convenient.



Compact at Back

The signal and power connections between the cabinets are hidden, ensuring a compact and decent rear of the entire screen.



APPLICATIONS



SPECIFICATION

Item	VEM009	VEM010	VEM012	VEM014	VEM015	VEM018	VEM020	VEM025	VEM030
Pixel Configuration	SMD	SMD	SMD	SMD	SMD	SMD	SMD	SMD	SMD
Pitch (mm)	0.968	1.0	1.25	1.46	1.579	1.875	2.0	2.5	3.0
Module Resolution (WxH)	248x279	240x270	192x216	164x184	152x171	128x144	120x135	96x108	80x90
Module Size (mm) (WxHxD)	240x270x13	240x270x13	240x270x13	240x270x13	240x270x13	240x270x13	240x270x13	240x270x13	240x270x13
Module Weight (Kg)	0.38	0.38	0.38	0.38	0.38	0.38	0.38	0.38	0.38
Module Composition (WxH)	4x1	4x1	4x1	4x1	4x1	4x1	4x1	4x1	4x1
Cabinet Resolution	992x279	960x270	768x216	656x184	608x171	512x144	480x135	384x108	320x90
Cabinet Dimension (WxHxD, mm)	960x270x40								
Unit Area (m ²)	0.2592	0.2592	0.2592	0.2592	0.2592	0.2592	0.2592	0.2592	0.2592
Cabinet Weight (Kg/m ²)	20	20	20	20	20	20	20	20	20
Pixel Density (pixel/m ²)	1067208	1000000	640000	465679	401084	284444	250000	160000	111111
Surface Flatness (mm)	≤0.3	≤0.3	≤0.3	≤0.3	≤0.3	≤0.3	≤0.3	≤0.3	≤0.3
Brightness Calibration	Yes	Yes	Yes	Yes	Yes	Yes	Yes	Yes	Yes
Color Calibration	Yes	Yes	Yes	Yes	Yes	Yes	Yes	Yes	Yes
Brightness (nits) (after calibration)	600	600	600	600	600	600	600	600	600
Color Temperature (K)	3000-10000 Adjustable								
Horizontal Viewing Angle (°)	160	160	160	160	160	160	160	160	160
Vertical Viewing Angle (°)	140	140	140	140	140	140	140	140	140
Deviation of LED Luminance Center (after calibration)	<3%	<3%	<3%	<3%	<3%	<3%	<3%	<3%	<3%
Brightness Uniformity	≥97%	≥97%	≥97%	≥97%	≥97%	≥97%	≥97%	≥97%	≥97%
Chromaticity Uniformity (after correction)	±0.003Cx,Cy within								
Contrast Ratio	7000:1	7000:1	7000:1	7000:1	7000:1	7000:1	7000:1	7000:1	7000:1
Max Power Consumption (W/m ²)	550	550	550	550	550	550	550	550	550
Average Power Consumption (W/m ²)	230	225	220	210	210	200	200	200	200
Power Supply	AC200 ~ 240V (50Hz)								
Drive Mode	Constant current drive								
Frame Rate (Hz)	50&60	50&60	50&60	50&60	50&60	50&60	50&60	50&60	50&60
Refresh Rate (Hz)	≥3840	≥3840	≥3840	≥3840	≥3840	≥3840	≥3840	≥3840	≥3840
Lifetime (hrs)	100,000	100,000	100,000	100,000	100,000	100,000	100,000	100,000	100,000
Operation Temperature (°C)	-20 ~ 40	-20 ~ 40	-20 ~ 40	-20 ~ 40	-20 ~ 40	-20 ~ 40	-20 ~ 40	-20 ~ 40	-20 ~ 40
Storage Temperature (°C)	-30 ~ 60	-30 ~ 60	-30 ~ 60	-30 ~ 60	-30 ~ 60	-30 ~ 60	-30 ~ 60	-30 ~ 60	-30 ~ 60
Operation Humidity (RH)	10--80% no condensation								
Storage Humidity (RH)	10--85% no condensation								

Remark: Above data is subject to change without prior notice



LEYARD
STOCK CODE: 300296

SHENZHEN LEYARD OPTO-ELECTRONIC CO., LTD

ADD: Block 2/3/4, Jia'AnDa Industrial Park, Dalang, Longhua, Shenzhen, 518109, China.

Tel: +86-755-2819-7999 / Fax: +86-755-29671239

Email: intlmarketing@leyard.com / Website: sz.leyard.com